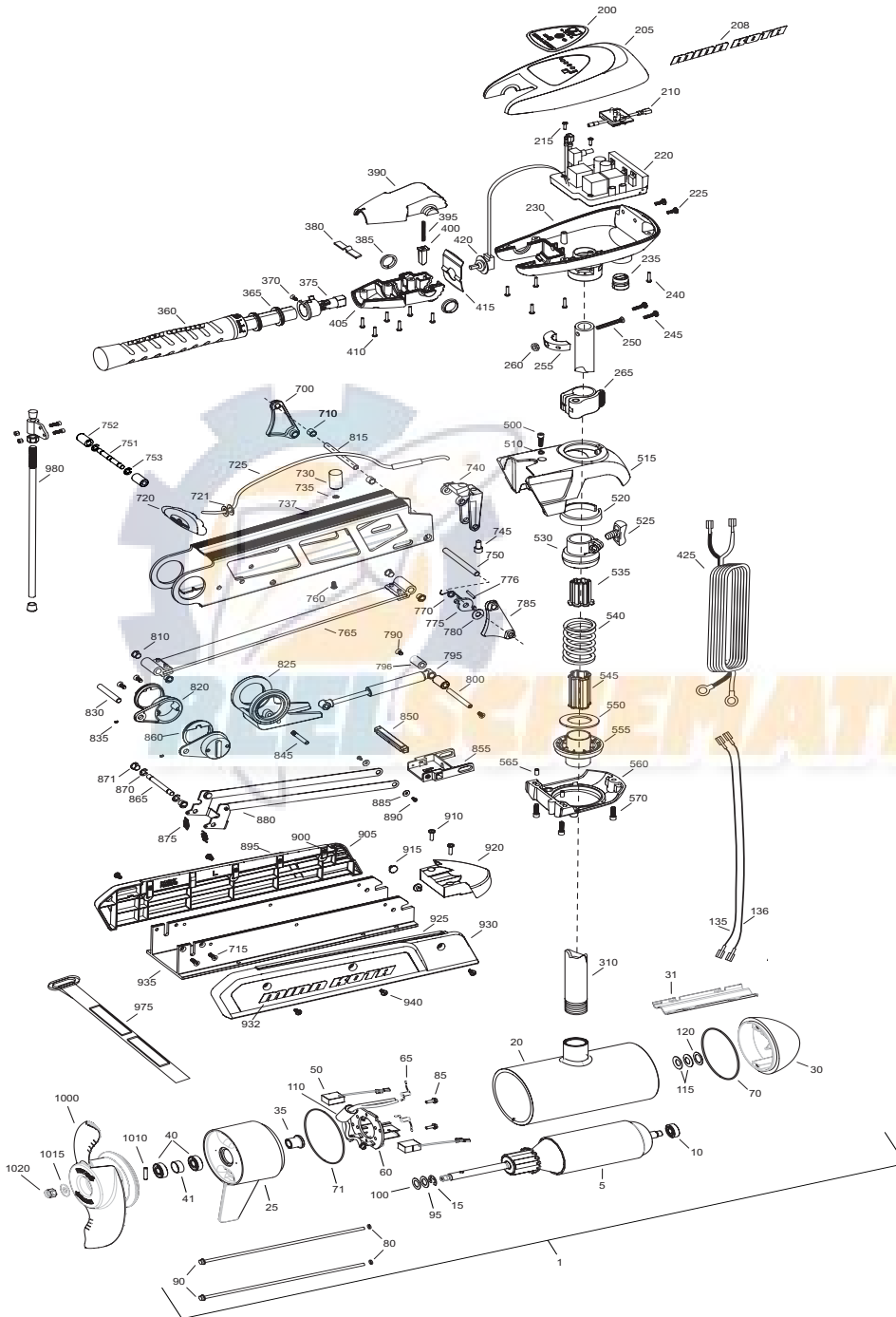


RT112/SF
112 LBS THRUST
36 VOLT / 52 AMPS
62" SHAFT

for use with "P" serial numbers
 2-year warranty



| Item | P/N | Description | Qty | Item | P/N | Description | Qty |
|------|-----------|---------------------------------|-----|------|---------|------------------------------------|-----|
| 1 | 2317091 | 36V Motor 62" SW | 1 | | | | |
| 5 | 2-100-245 | Armature assembly | 1 | ■ | 2990957 | Handle assy, VARS [360-410] | 1 |
| 10 | 140-014 | Bearing | 1 | 360 | 2990456 | Grip/handle assy, VARS [360-375] | 1 |
| 15 | 788-040 | Retaining ring | 1 | 365 | 2060015 | Bearing, handle | 2 |
| 20 | 2-200-340 | Center housing assembly | 1 | 370 | 2063405 | Screw, #6 PFH SS | 1 |
| 25 | 2-300-151 | Brush end housing assembly | 1 | 375 | 2884092 | Yoke / spider assy, VARS | 1 |
| 30 | 421-241 | Plain end housing assembly STD | 1 | 380 | 2302742 | Spring, detent, off | 1 |
| 31 | 582-016 | Retaining clip | 1 | 385 | 2060005 | Bearing, handle pivot | 2 |
| | | | | 390 | 2060900 | Handle pivot, top | 1 |
| 35 | 144-017 | Flange bearing | 1 | 395 | 2302745 | Spring, release button | 1 |
| 40 | 880-025 | Seal | 2 | 400 | 2063700 | Button, release | 1 |
| 41 | 725-095 | Paper tube - seal bore | 1 | 405 | 2060905 | Handle pivot, bottom | 1 |
| 50 | 188-095 | Brush | 2 | 410 | 2303412 | Screw, #6 x 5/8 SS | 6 |
| 60 | 9-738-011 | Brush plate assembly | 1 | 415 | 2062715 | Spring, handle pivot | 1 |
| 65 | 975-045 | Brush spring | 2 | 420 | 2061700 | Washer, pot holder | 1 |
| ■ | 2881450 | Seal and O-ring Kit [40, 70-80] | | 425 | 2992521 | Leadwire assy | 1 |
| 70 | 701-098 | O-ring, plain end | 1 | | | | |
| 71 | 701-107 | O-ring, brush end | 1 | ■ | 2991757 | Bowguard Assembly SW [500-570] | 1 |
| 80 | 701-009 | O-ring, thru-bolt | 2 | 500 | 2283414 | Screw, 5/16-18 SHCS, RIE | 1 |
| 85 | 2053410 | Screw, 10-32 x 1/2" | 2 | 510 | 2281700 | Washer, 5/16 highcollar lock | 1 |
| 90 | 830-094 | Thru-bolt 12-24 | 2 | 515 | 2281953 | Bowguard top | 1 |
| 95 | 990-051 | Washer, steel | 1 | 520 | 2280001 | Bearing, Bowguard top | 1 |
| 100 | 990-052 | Washer, nylatron | 2 | 525 | 2011366 | Knob, ss | 1 |
| 110 | 2307312 | Ferrite bead | 1 | 530 | 2261525 | Spring sleeve, upper | 1 |
| 115 | 992-011 | Washer, belleville | 2 | 535 | 2264702 | Tube insert, upper | 1 |
| 120 | 990-011 | Washer, shim | 1 | 540 | 2262705 | Spring, bowguard | 1 |
| 135 | 640-045 | Leadwire, black 62" | 1 | 545 | 2282000 | Tube insert, lower | 1 |
| 136 | 640-145 | Leadwire, red 62" | 1 | 550 | 2281525 | Spacer, lower spring | 1 |
| | | | | 555 | 2281520 | Spring sleeve, lower | 1 |
| 200 | 2095605 | Decal, c-box cover 112# | 1 | 560 | 2991729 | Bowguard bottom | 1 |
| 205 | 2060296 | C-box cover | 1 | 565 | 2282612 | Pin-spring 5/16, SS | 2 |
| 208 | 2325666 | Decal - MinnKota | 2 | 570 | 2283413 | Screw, 3/8-16 SHCS, RIE | 3 |
| 210 | 2074082 | Battery meter, 36v SW | 1 | | | | |
| 215 | 3043427 | Screw, #8 x 7/8 SS | 2 | ■ | 2991751 | Mt, Fortrex, long SW 62" [700-940] | 1 |
| 220 | 2184017 | Control board, 24/36V | 1 | 700 | 2280800 | Link, bowguard mount, left | 1 |
| ■ | 2888411 | Potentiometer Replacement Kit | | 710 | 2287303 | Bushing, upper pins | 2 |
| 225 | 2303434 | Screw, #8-30 x 5/8 SS | 2 | 715 | 2283409 | Screw, 1/4-20 x 3/4 FHSC | 4 |
| 230 | 2062503 | Control box, VARS, SW | 1 | 720 | 2880400 | Pull grip assembly | 1 |
| 235 | 2062905 | Strain relief | 1 | 721 | 2261732 | Washer | 2 |
| 240 | 2303412 | Screw, #6 x 5/8 SS | 6 | 725 | 2771601 | Rope assembly | 1 |
| 245 | 2263434 | Screw, #8 x 1 SS | 2 | 730 | 2281516 | Spacer, inner arm | 1 |
| 250 | 2383406 | Screw, #10-24 x 2 SS | 1 | 735 | 2281702 | Washer, lock 1/4 | 1 |
| 255 | 2061517 | Collar, c-box | 1 | 737 | 2284212 | Outer arm, long, 62" | 1 |
| 260 | 2383101 | Nut, 10-24, nylock, SS | 1 | 740 | 2992302 | Rope guide assembly | 1 |
| 265 | 2991521 | Cam lock/depth collar assy | 1 | 745 | 2281530 | Insert, threaded | 1 |
| | | | | 750 | 2282608 | Pin, 7/16 x 5_5/32 | 1 |
| 310 | 2002015 | Tube Composite 62" | 1 | 751 | 2282602 | Pin, 3/8 x 3_3/4 | 1 |
| | | | | 752 | 2261505 | Spacer | 2 |
| | | | | 753 | 2263011 | E-ring, 3/8 shaft | 2 |
| | | | | 760 | 2223418 | Screw, 1/4-20 x 1/2 BHCS | 1 |
| | | | | 765 | 2993821 | Inner arm assembly, long, 62" | 1 |
| | | | | 770 | 2042711 | Spring, torsion | 1 |

* This item is part of an assembly. This item cannot be sold separately due to machining and /or assembly that is required.

| Item | P/N | Description | Qty |
|------|---------|--------------------------------------|-----|
| 775 | 2283620 | Latch, safety | 1 |
| 776 | 2282611 | Spring, safety latch | 1 |
| 780 | 2281704 | Washer 7/16 nylon | 1 |
| 785 | 2280805 | Link, bowguard mount, right | 1 |
| 790 | 2283410 | Screw 1/4-20 x 1/2 PFH | 2 |
| 795 | 2288405 | Gas spring (cylinder), 112#, long mt | 1 |
| 796 | 2281710 | Spacer, gas spring | 2 |
| 800 | 2282610 | Pin, upper, shock | 1 |
| 810 | 2280005 | Bearing, nyliner 7/16" | 4 |
| 815 | 2282600 | Pin, 7/16 x 4 7/8 | 1 |
| 820 | 2281932 | Bracket, rear pivot | 2 |
| 825 | 2281501 | Yoke, shock mount | 1 |
| 830 | 2282606 | Pin, 7/16 x 4 1/2 | 1 |
| 835 | 2283402 | Screw, set, 6-32 x 1/4 | 2 |
| 845 | 2282604 | Pin, Knurled 5/16 x 2 | 1 |
| 850 | 2283615 | Latch bar | 1 |
| 855 | 2283610 | Bracket - latch/strap, rope pull | 1 |
| 860 | 2287300 | Bushing, rear pivot | 2 |
| 865 | 2282602 | Pin, 3/8 x 3 3/4 | 1 |
| 870 | 2263011 | E-ring, 3/8 shaft | 2 |
| 871 | 2280008 | Bearing, Iglide | 2 |
| 875 | 2282720 | Spring, extension | 2 |
| 880 | 2773601 | Latch strap assembly, Long | 1 |
| 885 | 2261732 | Washer 8, nylon | 2 |
| 890 | 2373450 | Screw 8-18 x 3/8 | 2 |
| ■ | 2993916 | Sideplate assembly, long, left, sw | 1 |
| 895 | 2288625 | Support, left sideplate | 1 |
| 900 | 2283408 | Screw 8 x 3/8 | 8 |
| 905 | 2283916 | Sideplate, long, left, sw | 1 |
| 910 | 2073408 | Screw 1/4-20 x 7/8 | 2 |
| 915 | 2286700 | Plug, spacer | 2 |
| 920 | 2283900 | Ramp, motor | 1 |
| ■ | 2993926 | Sideplate assembly, long, right, sw | 1 |
| 925 | 2288620 | Support, right sideplate | 1 |
| 930 | 2283926 | Sideplate, long, right, sw | 1 |
| 932 | 2285501 | Decal, Sideplate, sw | 2 |
| 935 | 2281912 | Base extrusion, long, 62" | 1 |
| 940 | 2323405 | Screw 1/4-20 x 1/2 | 6 |
| 975 | 2773806 | Strap hold down | 1 |
| 980 | 2991925 | Bracket stabilizer assembly | 1 |
| ■ | 1378160 | Propeller kit WW2 [1000-1020] | |
| ■ | 2994876 | Propeller bag assy [1010-1020] | |
| 1000 | 2341160 | Propeller WW2 | 1 |
| 1010 | 2262658 | Drive pin, large | 1 |
| 1015 | 2091701 | Washer, prop, large | 1 |
| 1020 | 2198401 | Nut, nylock, prop, Anode | 1 |
| ■ | 2994830 | Bag assembly | 1 |

12-24-36 VOLT VARIABLE SPEED MODELS

THIS IS A UNIVERSAL MULTI-VOLTAGE DIAGRAM. DOUBLE CHECK YOUR MOTORS VOLTAGE FOR PROPER CONNECTIONS

Riptide 112 is 36-volt only!

